

QUICK START GUIDE



4.1 MilchMobil

This document gives you a brief overview about how to Start up a MilchMobil.

Unlock



Operational modes **SET**

Setting mode, when the MilchMobil is connected to the mains.



AUTO **Feed mode**, when the MilchMobil is disconnected from the mains.



1 Filling the water bath

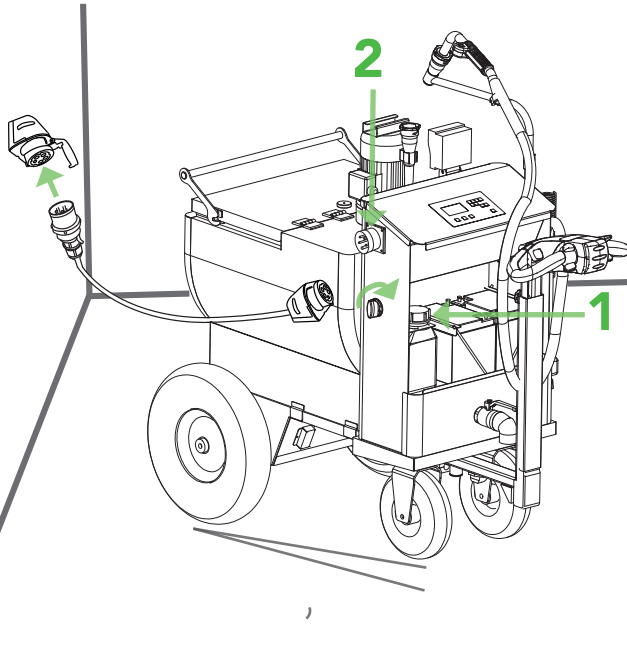
Slightly tilt the MilchMobil

SET

2 Plug in & turn on

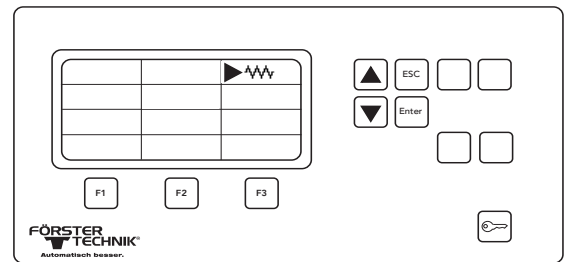
Charge the battery 6-8 hours

SET



4 Heating adjustment

SET



Note: Set frost protection

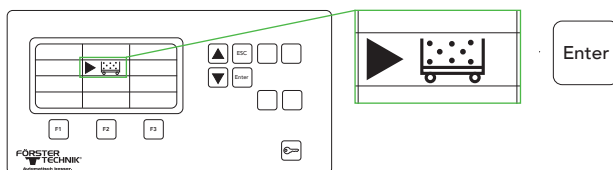
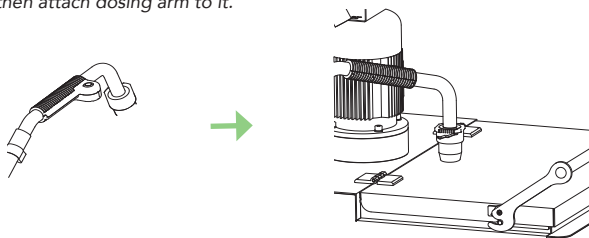


3 Cleaning

Once before commissioning & after each feeding

Attention! First insert the cleaning nozzle loosely into the opening provided, then attach dosing arm to it.

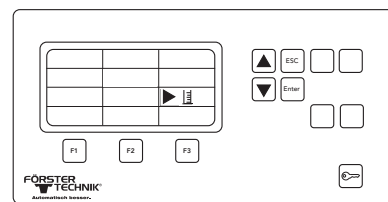
SET



5 Calibration

SET

To ensure that the dosing pump can exactly dose the specified amount of water, you must perform a calibration during commissioning. Keep a measuring cup ready for calibration.



6 Dosing

3 options

AUTO

