

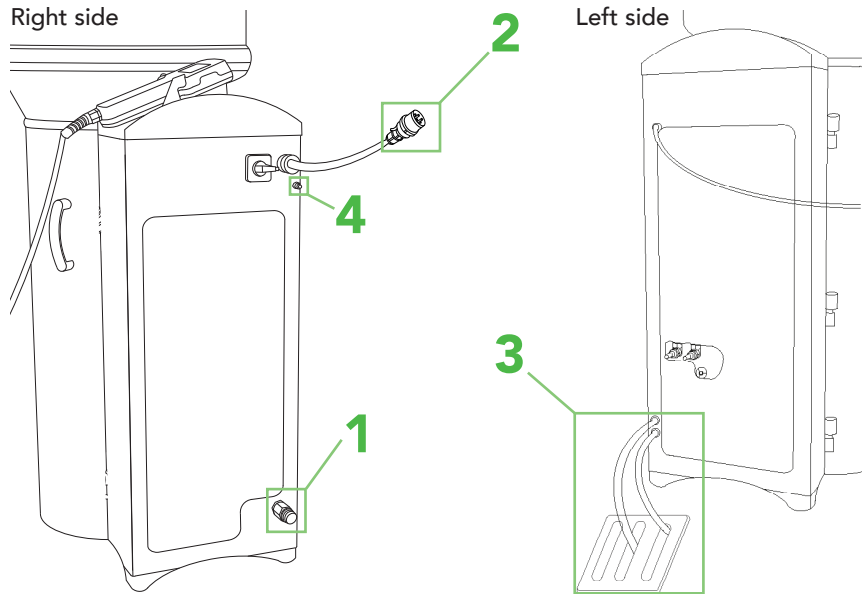
QUICK START GUIDE

Automatic calf feeder - powder

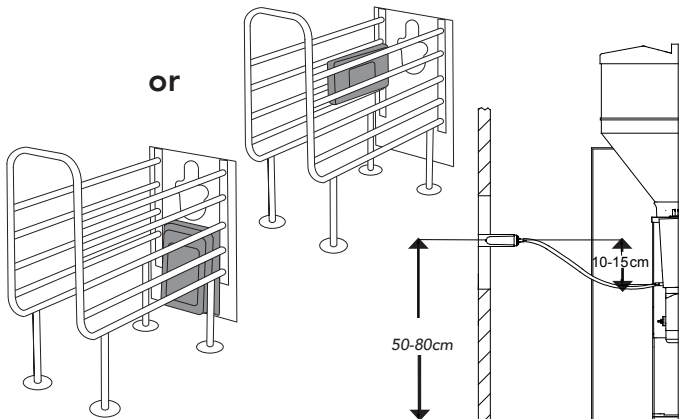
1.1 Installation checklist

This document provides a brief overview of the things that need to be taken into account when commissioning a feeder for the first time.

- 1** Connect water
- 2** Connect power
- 3** Provide draining options
1 on the left side of the feeder, 1 in front of the feeder in the middle of the housing and 1 at every
- 4** Establish ground connection



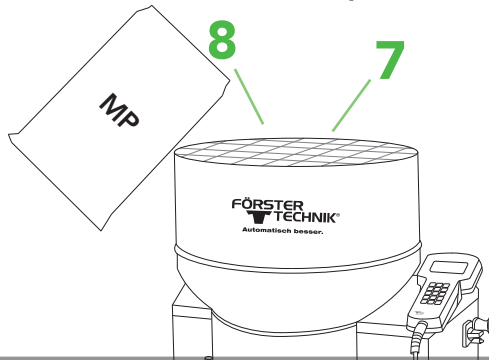
- 5** Mount and connect raceway, antenna and suction point
For more details, see the corresponding assembly instructions.



- 6** Connect Ethernet cable
Open door on the left side and plug it in
TIP: check QuickStartGuide 2.3.CalfClou



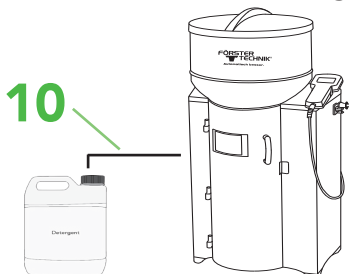
- 7** Mount protective grid
- 8** Fill with the milk powder



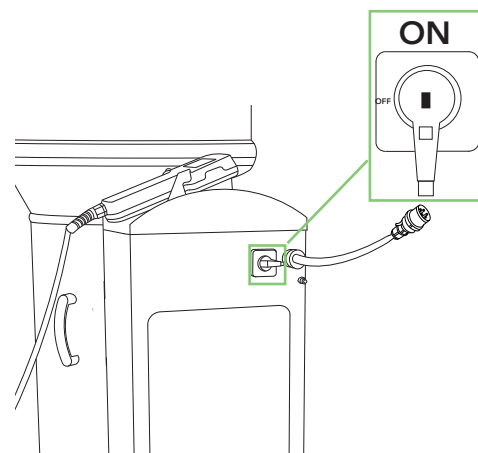
- 9** Switch on vapour screen for powder outlet *if available*
TIP: The switch can be found on the main board of the calf feeder (*Open the plate on the back*)



- 10** Install external detergent supply



- 11** Turn the automatic feeder on



QUICK START GUIDE

Automatic calf feeder powder- 1.1 Installation checklist

First settings at the Handheld

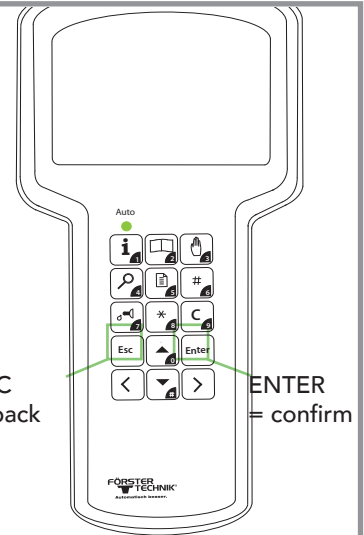
14 Enter basic settings (date & time)
This is automatically displayed after switching on the machine

15 Fill the boiler
Fault message boiler is automatically displayed

press  → boiler is filled now

16 Reinstall everything

 ▶ device data → ▶ new installation →  confirm everything



15 Setup configuration

Turn off the feeder → Keep  pressed

→ Turn on the feeder and hold button until the **setup menu** is displayed.

a) Read in ID-chip

[**setup menu**] →  ID-chip →  read?

b) Check / change Setup settings

```
Setup
language: [ English]
time/date
machine
equipment
identification
ID-chip
calibration scale
stations
terminal
communication
SD card
service
```

c) Adjust the calibration scale *if available* then exit Setup

16 Calibration

TIP: check QuickStartGuide 1.3 & 1.4 Calibration

Calibrate all existing components at least 3 times during initial commissioning.

Water, MP, additives

 ▶ calibration →  components

17 Cleaning before commissioning

TIP: check QuickStartGuide 1.6 & 1.7 Cleaning




Fill up detergent & clean

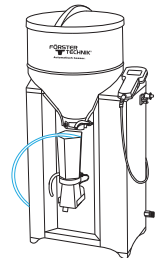
Check cleaning settings

 ▶ cleaning →  settings

Attention: detergent quantity is set to 0ml by default

Circuit cleaning




 ▶ cleaning
→  circuit cleaning
→  start?

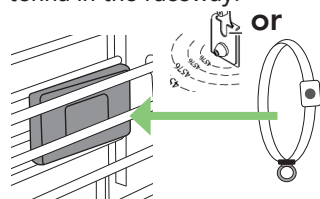



18 Set feeding plans, portion settings and operating mode

TIP: check QuickStartGuide 1.2 feeding plan

19 Reading in transmitters to store them in the system
TIP: check QuickStartGuide 1.8 animal management

 ▶ animal management →  transmitter
→  new Hold a transmitter next to the antenna in the raceway.






▶ Create new no. X for animal X? → 

20 Register animals to allow feeding

TIP: check QuickStartGuide 1.8 animal management

Besides a manual registration, it is possible to register calves automatically to the calf feeder.

automatically

 ▶ animal management →  register
→  automatic → 